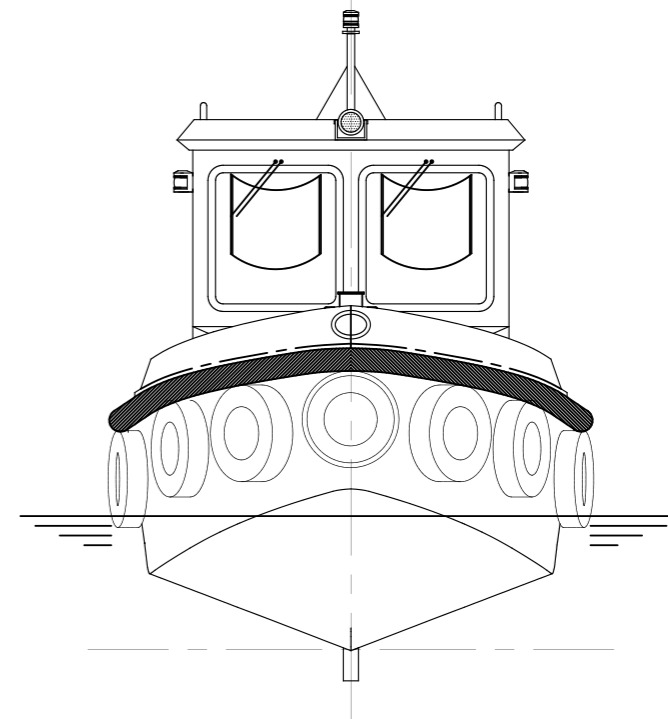
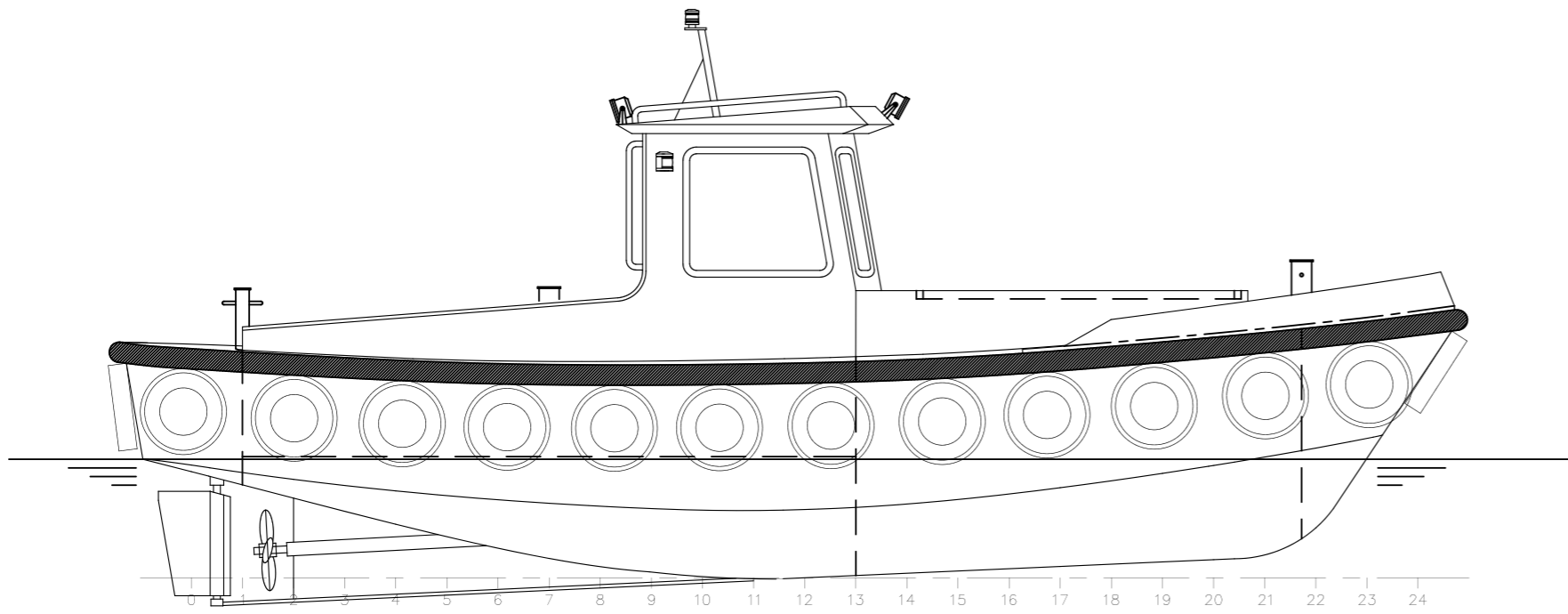
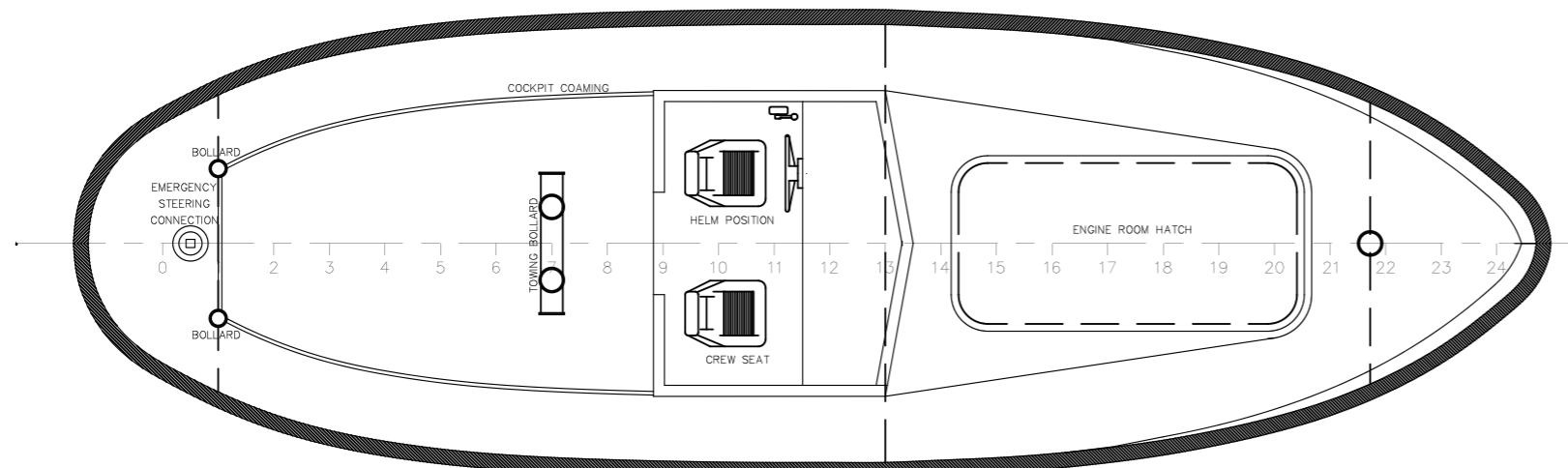



1 2 3 4 5 6 7 8

THIS IS A CAD DRG. DO NOT CHANGE BY HAND !		DRG. No: 9017-01	TITLE: GENERAL ARRANGEMENT
REMARKS			DATE



PRINCIPAL DIMENSIONS:
 LENGTH O.A. : 9.90 METRES
 LENGTH W.L. : 8.80 METRES
 LENGTH B.P. : 8.50 METRES
 BREADTH MLD : 3.00 METRES
 DEPTH MLD : 1.60 METRES
 DESIGN DRAFT : 0.83 METRES
 TYP. POWER : 115 BHP



 KEEL MARINE Ltd NAVAL ARCHITECTS, MARINE ENGINEERS & SURVEYORS		RIDGEWAY OFFICE PARK UNITS 6-8, BEDFORD ROAD PETERSFIELD, GU32 3QF UNITED KINGDOM TEL: +44 (0) 1730 268889 FAX: +44 (0) 1730 269361	
PROJECT : 10M WORKBOAT		TITLE : GENERAL ARRANGEMENT	
DRN. BY: SM	DATE: 26/03/2014	SCALE 1:50	SIZE A3
CHK. BY:	DATE:		
APP. BY:	DATE:	DRG. No:- 9017-01	
		ISSUE : 1	

THIS DRAWING IS THE PROPERTY OF KEEL MARINE LTD AND MUST NOT BE USED, REPRODUCED OR DISTRIBUTED TO ANY THIRD PARTY WITHOUT THE WRITTEN CONSENT OF KEEL MARINE LTD.

1 2 3 4 5 6 7 8